

KENT OPEN UTILITY STATION

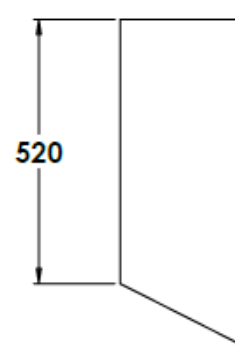
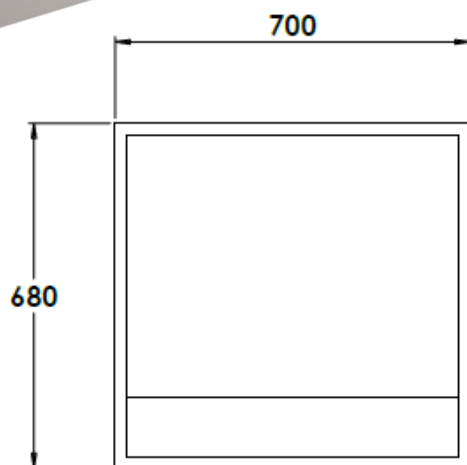
Kent Open Utility Stations, (KUS 700) are designed to house a range of electrical, pneumatic and mechanical services in cleanroom environments.

The utility stations can be easily cleaned with minimal crevices throughout the design.

The stations are manufactured to suit various power outlets, hose connections and valves.

Features

- Grade 304L/316L Stainless Steel
- Satin finish 320 grit polished
- Hygienic design
- Made to suit wall thickness
- Customs sizes available



Product Code	Length	Depth	Height
KUS 700	700	240	680

Specify

