

## KENT TRIPLE SEAL ODOUR TIGHT MANHOLE KMHT(O)-600/600

The Kent Triple Seal Odour Tight Manhole contains 3 seal contact points.

While containing three seals, this is a neat manhole with a narrow visible frame. It contains 4 lockdown points as standard which double up as lifting eyes.

### Features

- Available in G304 or G316 Stainless Steel
- 3 standard sizes, but custom sizes are available
- Standard loading FACTA B – A/B/C/D loadings available



**KENT TRIPLE SEAL ODOUR TIGHT MANHOLE KMHT(O)-600/600** continued

Product Code	Clear Opening	Internal Tray Depth	Visible Frame Size
KMHT(O)-300/300	300mm x 300mm	50mm	470mm x 470mm
KMHT(O)-450/450	450mm x 450mm	50mm	620mm x 620mm
KMHT(O)-600/600	600mm x 600mm	80mm	770mm x 770mm
KMHT(O)-750/750	750mm x 750mm	80mm	920mm x 920mm
KMHT(O)-900/900	900mm x 900mm	80mm	1070mm x 1070mm



**Sack Truck**  
Light/Medium Duty

Specify: FACTA AAA



**Pallet Truck**  
Medium Duty

Specify: FACTA B



**Forklift**  
Medium/Heavy Duty  
(6.5 Ton)

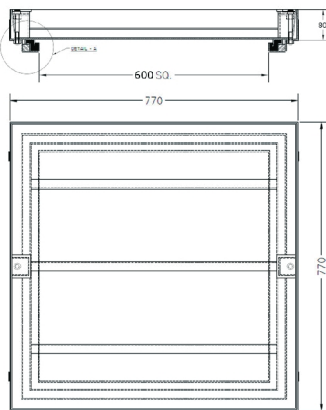
Specify: FACTA C



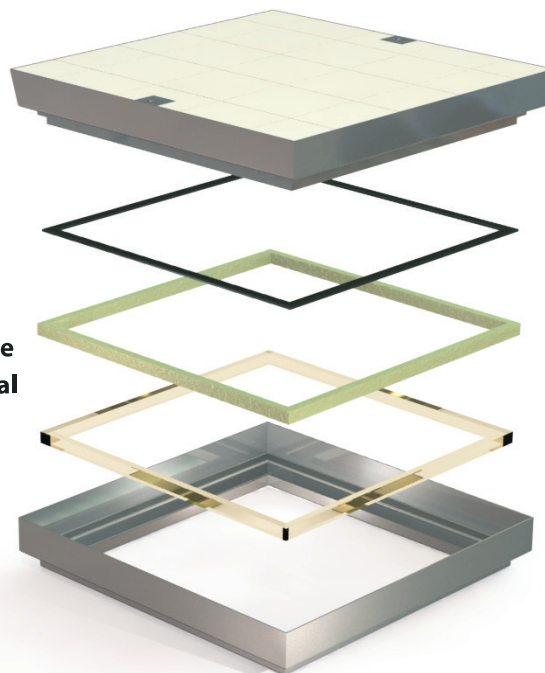
**Forklift**  
Heavy Duty (11 Ton)

Specify: FACTA D

Specify: Kent Triple Seal Odour Tight Manhole KMHT(O) 600/600; 600mm x 600mm clear opening; 80mm Tray Depth; Grade 304L Stainless Steel; Loading FACTA B  
See page 8 & 9 which shows how to create your own unique specification clause



**Triple Food Grade Silicone 'P' Seal**


**OPTIONS**

Grade 304L Stainless Steel

Grade 316L Stainless Steel

Fire Panels

FACTA Class	Slow Moving Wheel Loads	Kent Safety Test (Unfilled)
AAA	2.5T	5.2T
B	5T	10.1T
C	6.5T	13.2T
D	11T	22T