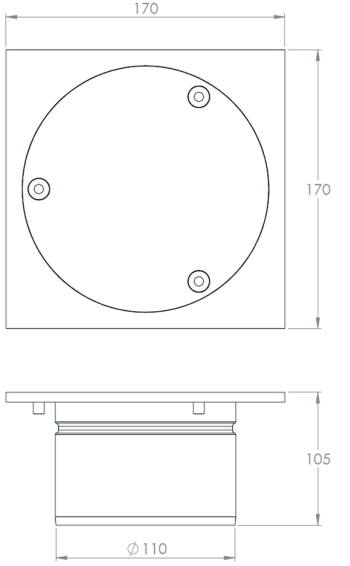
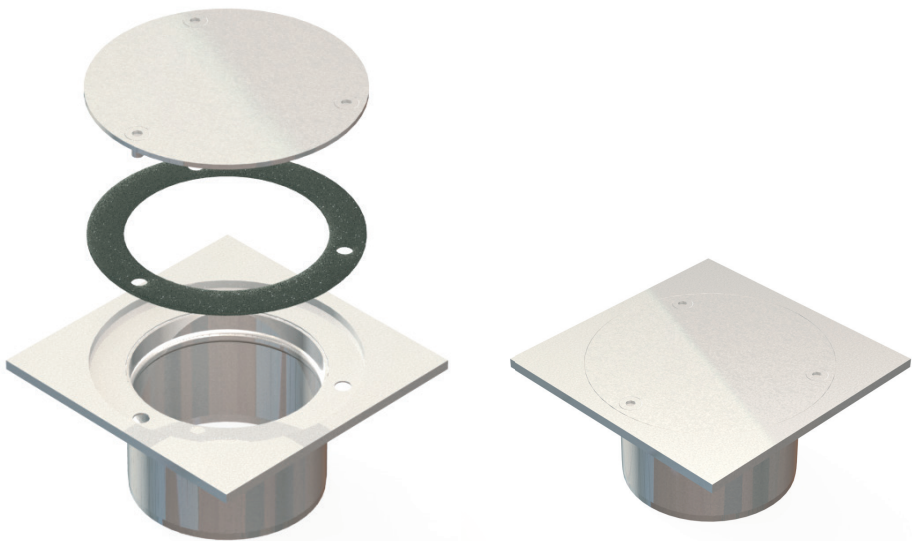


KENT KRE170TP (SQ) - Commercial Rodding Eye (High Footfall)

The KRE170TP (SQ) Rodding Eye is a square top stainless steel rodding eye, or cleanout, for tiled and poured floor areas. It matches our KVT170 range of gullies but has a blank top. This rodding eye is single sealed by a neoprene gasket. The Top Part can be complemented with a KVBO gully body which will allow adjustable height. It has a heavier duty top than our KR161 Rodding Eye and also has a larger more positive seal.

Features

- Grade 304 (1.4301) or 316 (1.4401) Stainless Steel to BS EN 10088
- 110mm diameter outlet
- Satin finish as standard
- Ex stock
- Lock down as standard



Barefoot



Forklift



Pedestrian

BS EN1253 Loading Class K3 (L15 or R50 or M125 variations available)

Product Code	Height	Width	Depth	Outlet	Sealed	Description
KRE170/110TP(SQ)	105	170	170	110	x 1	Top Part Only
KRE170/110(SQ)	200-250	170	170	110	x 1	Adjustable Height 2 Part- See Page 4

Specify Kent KRE170/110TP (SQ) Rodding Eye. 170mm x 170mm, single sealed, Grade 304 stainless steel with a satin polish finish.