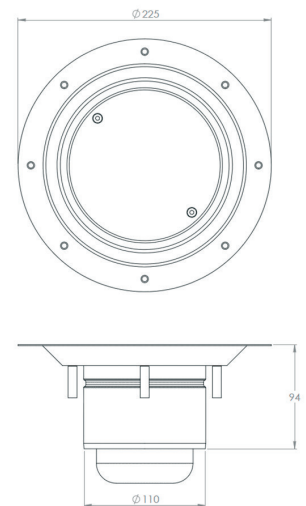
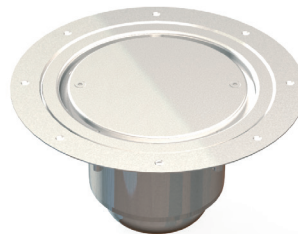
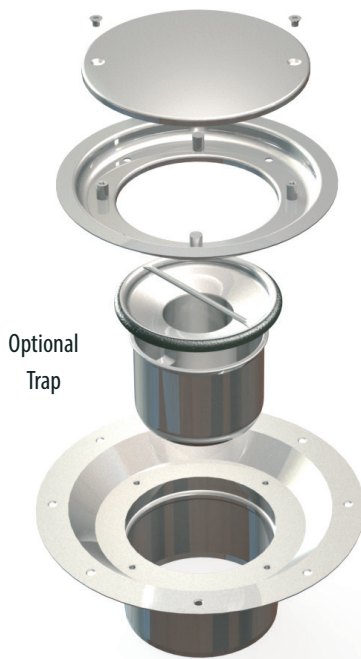


KENT KVV225 - Commercial Gully (Vinyl Floor)

The KVV225 Plain Top Gully is a round top stainless steel gully for vinyl and flexible floor areas. It is supplied as standard with a lockdown plain top grating.

Features

- Grade 304 (1.4301) or 316 (1.4401) Stainless Steel to BS EN 10088
- Satin finish as standard
- Ex stock
- Lock down as standard



Barefoot



Pedestrian

BS EN1253 Class K3

Product Code	Height	Diameter	Outlet	Flow Rate	Description
KVV225/110TP	94	225	110	1.4 l/s	Top Part Only Bottom Outlet 110mm
KVV225/110	200-250	225	110	1.4 l/s	Adjustable Height 2 Part Bottom Outlet - See Page 4
KHV225/1.5"BSP	140-185	225	1.5"BSP	0.9 l/s	Adjustable Height 2 Part Side Outlet 1.5"BSP - See Page 4
KHV225/50	140-185	225	1.5"BSP	0.9 l/s	Adjustable Height 2 Part Side Outlet 50mm - See Page 4
KFT110					110mm Trap with 50mm water seal

Specify Kent KVV225/110TP Floor Gully. 225mm diameter, fixed height floor drain. Grade 304 stainless steel with a satin polish finish, supplied with KFT110 Trap.