

KENT FOLD DOWN STEP OVER BENCH

Kent Fold Down Step Over Bench, (KFSOB 1575) are designed to allow operators to change footwear before entering the cleanroom area.

The benches can be easily cleaned with minimal crevices throughout the design.

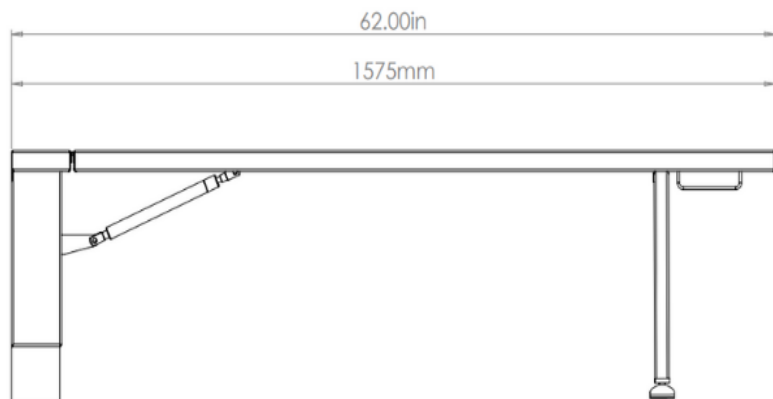
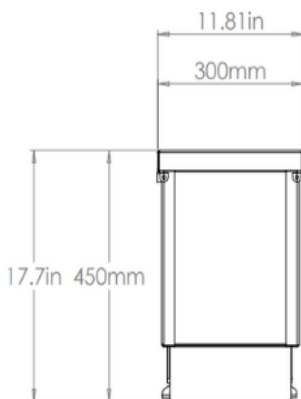
The overall sizes can be adjusted to requirement.

Features

- Grade 304L/316L Stainless Steel
- Satin finish 320 grit polished
- Adjustable feet
- No dirt traps
- Customs sizes available
- Wall or Floor Mounted



Multiple Sizes Available



KENT FOLD DOWN STEP OVER BENCH

Product Code	Length	Width	Height
KFSOB 1575	62.00" (1575mm)	11.81" (300mm)	17.71" (450mm)

Specify

Choose your steel:
Grade 304L Stainless steel
Grade 316L Stainless steel

Customise your size
go with our standard size
1575x300x450mm
(see page 1 for details) or
specify your own dimensions

Specify:
Kent Fold Down Step Over Bench (KFSOB 1575); Grade 304L Stainless Steel; 62" (1575mm) x 11.81" (300mm) x 17.71" (450mm); 0.07" (2mm) Thick Steel; Satin Finish 320 Grit Polish

Choose your thickness:
0.07" (2mm)
0.11" (3mm)

