



# Atmospheric Storage Tank

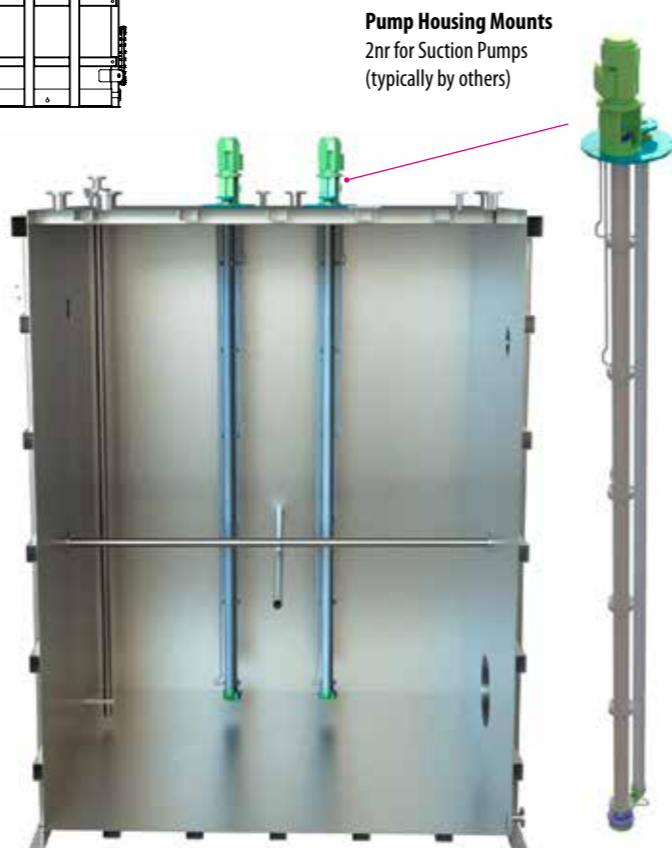
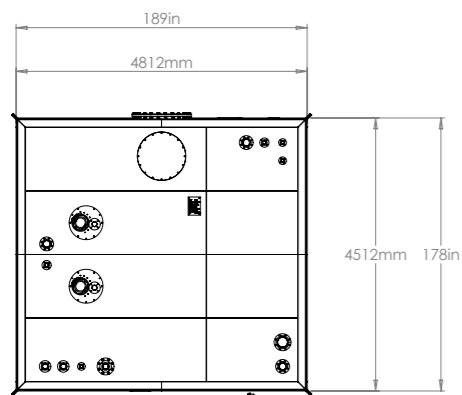
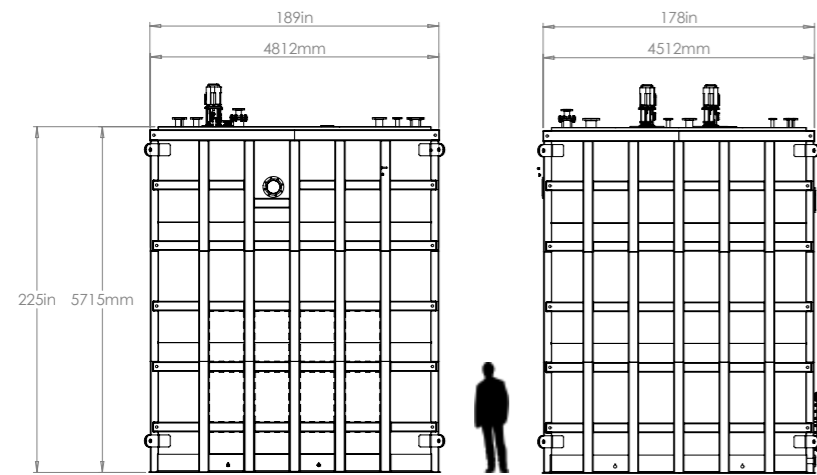
Kent Stainless manufactured this Process Waste Lift Station for a Pharmaceutical factory construction project in 2019. This was used to store caustic CIP solution for wash-down in the factory.

For another tank a variation without top pumps was used elsewhere in the factory as a **Firewater Storage Tank**.

The tank measures 4,812mm long x 4,512mm wide x 5,715mm high (189in x 178in x 225in) and weighs 13,150kg empty (29,000 lb) or 107,150kg filled (236,000 lb). The sump is made from 6mm thick grade 316L stainless steel and has a 80,000 litre working capacity (21,133 US Gallon) or a 104,000 L full capacity (27,473 US Gallon).

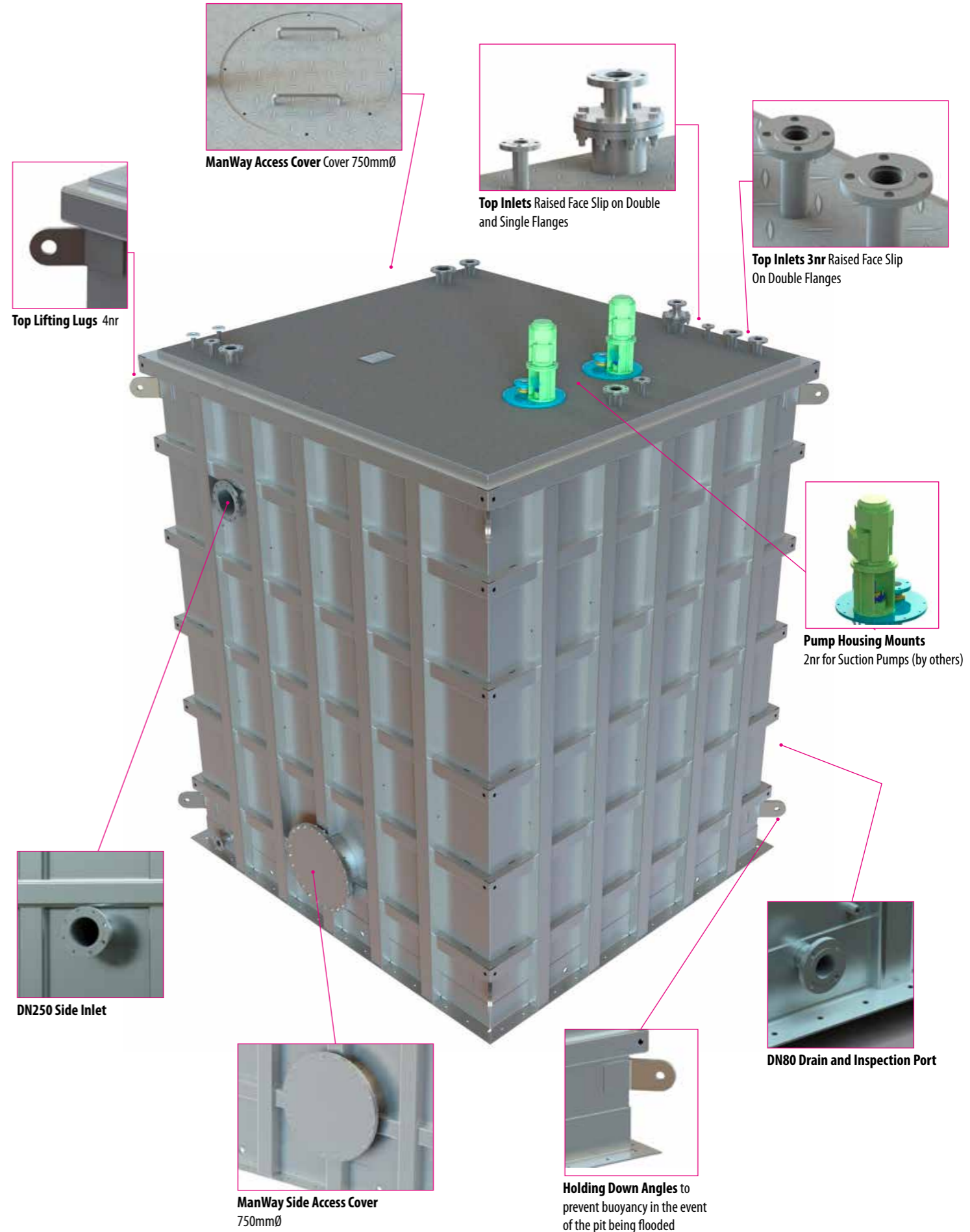
## INDUSTRIES

- BioPharma



**Pump Housing Mounts**  
2nr for Suction Pumps  
(typically by others)

Height	Width	Length	Weight	Volume
5715mm	4512mm	4812mm	13,150kg	104,000 L
225in	178in	189in	29,000lb	27,473 Gallon



**ManWay Access Cover** Cover 750mmØ

**Top Inlets** Raised Face Slip On Double and Single Flanges

**Top Inlets 3nr** Raised Face Slip On Double Flanges

**Top Lifting Lugs** 4nr

**Pump Housing Mounts**  
2nr for Suction Pumps (by others)

**DN250 Side Inlet**

**ManWay Side Access Cover**  
750mmØ

**Holding Down Angles** to prevent buoyancy in the event of the pit being flooded

**DN80 Drain and Inspection Port**