

Kent Swoosh Anti Skate Stud



KENT SWOOSH ANTI SKATE STUD (KSASS 85/30/R15)

Specify:

Kent Swoosh Anti Skate Stud (KSASS 85/30/R15); Grade 316 Stainless Steel; Dia: 1.18" (30mm), Length: 2.95" (85mm), Internal Radius of 0.59" (15mm); 2nr 0.23" (6mm) dia x 0.98" (25mm) high studs, Polished Finish;

Description:

Kent Swoosh Anti Skate Studs are used to deter unwanted skateboarding in order to prevent damage to street furniture and stonework elements. The stud eliminates the long, smooth edges, so skateboarders can no longer 'grind' their boards along the edges.

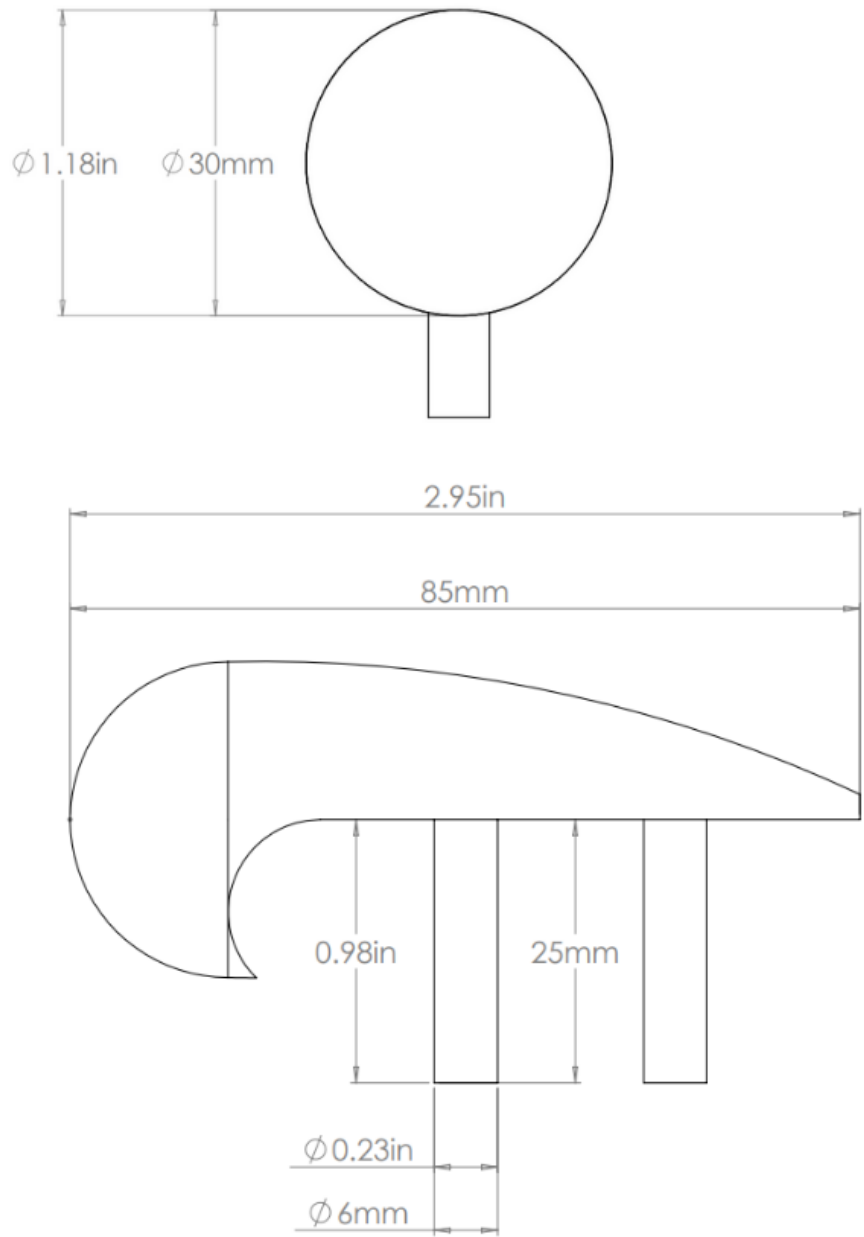
The Stainless Steel material is ideal for high traffic pedestrian areas and it does not adversely effect the aesthetics of the elements they are protecting.

Features:

- Grade 316 Stainless steel
- 6mm Thick Steel
- 30mm dia Sphere
- Polished Finish
- 2 Installation pins



KENT SWOOSH ANTI SKATE STUD (KSASS 85/30/R15)



Product Code	Diameter	Length
Kent Swoosh Anti Skate Stud KSASS 85/30/R15	1.18in (30mm)	2.95in (85mm)

Installation of Studs

Step 1:

Drill x2 , 0.39" (10mm) Diameter hole 1.37" (35mm) deep.

Step 2:

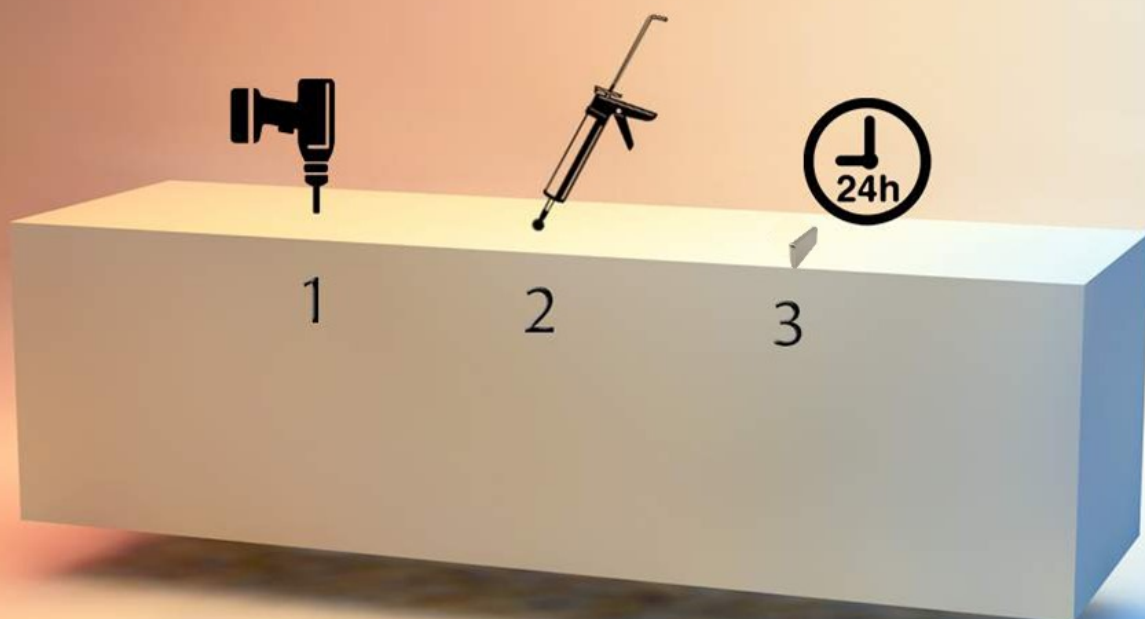
Clean out the drilled hole.

Step 3:

Fill with chemical mortar (Kent Stainless recommend MIT-SE Mortar).

Step 4:

Insert the Swoosh Anti Skate Stud and leave to set for 24 hours



Specify

Choose your steel:
Grade 304 Stainless steel
Grade 316 Stainless steel

Specify:

Kent Swoosh Anti Skate Stud (KSASS 85/30/R15); Grade 316 Stainless Steel; Dia: 1.18" (30mm), Length: 2.95" (85mm), Internal Radius of 0.59" (15mm); 2nr 0.23" (6mm) dia x 0.98" (25mm) high studs, Polished Finish;

**Customise your Internal
Radius/ Angle to suit the
bench/Planter the stud is to
be fixed to**



Maintenance of Stainless Steel

Clean the stainless steel components using warm water with a mild detergent with a non-abrasive cloth or sponge. Heavier stains may require the use of a nylon-scouring pad or a stainless steel cleaner.

To remove paint or graffiti use a cloth and Alkaline or solvent paint strippers according to type of paint. In the case of a bead blasted finish, where abrasive cleaning is required, always use a random circular rubbing action with a cloth.

In the case of brushed finishes the surface consists of uniform fine 'scratches' running in one direction so where abrasive cleaning is required always use a straight back and forward rubbing action in the direction of the grain using soap and warm water.

Rust spots or 'tea stains' can occur on the surface of the material, these are normally caused by contamination from ordinary mild steel, particularly in areas where construction work has been undertaken. Such stains can be removed using Rust Remover 410.

In cases where the surface is severely stained because of severe environmental conditions or scratched due to misuse, it may still be possible to restore the original finish using chemicals such as Oxalic Acid solution. There are many stainless steel polishes available to enhance the surface finish.





Kent Stainless Ltd
Ardcavan, Wexford, Ireland

TEL NO: +353 53 9143216
UK FREEPHONE: 0800 376 8377
FAX: +353 53 9141802
WEB: www.kentstainless.com
EMAIL: info@kentstainless.com

