

# Kent Slot Drain Recessed Access Cover



**KENT SLOT DRAIN RECESSED ACCESS COVER (KSDRAC 300/200-100)****Specify:**

Kent Slot Drain Recessed Access Cover KSDRAC 300/200-100;  
300X200X100mm; Grade 316 Stainless steel; FACTA B; No Slot

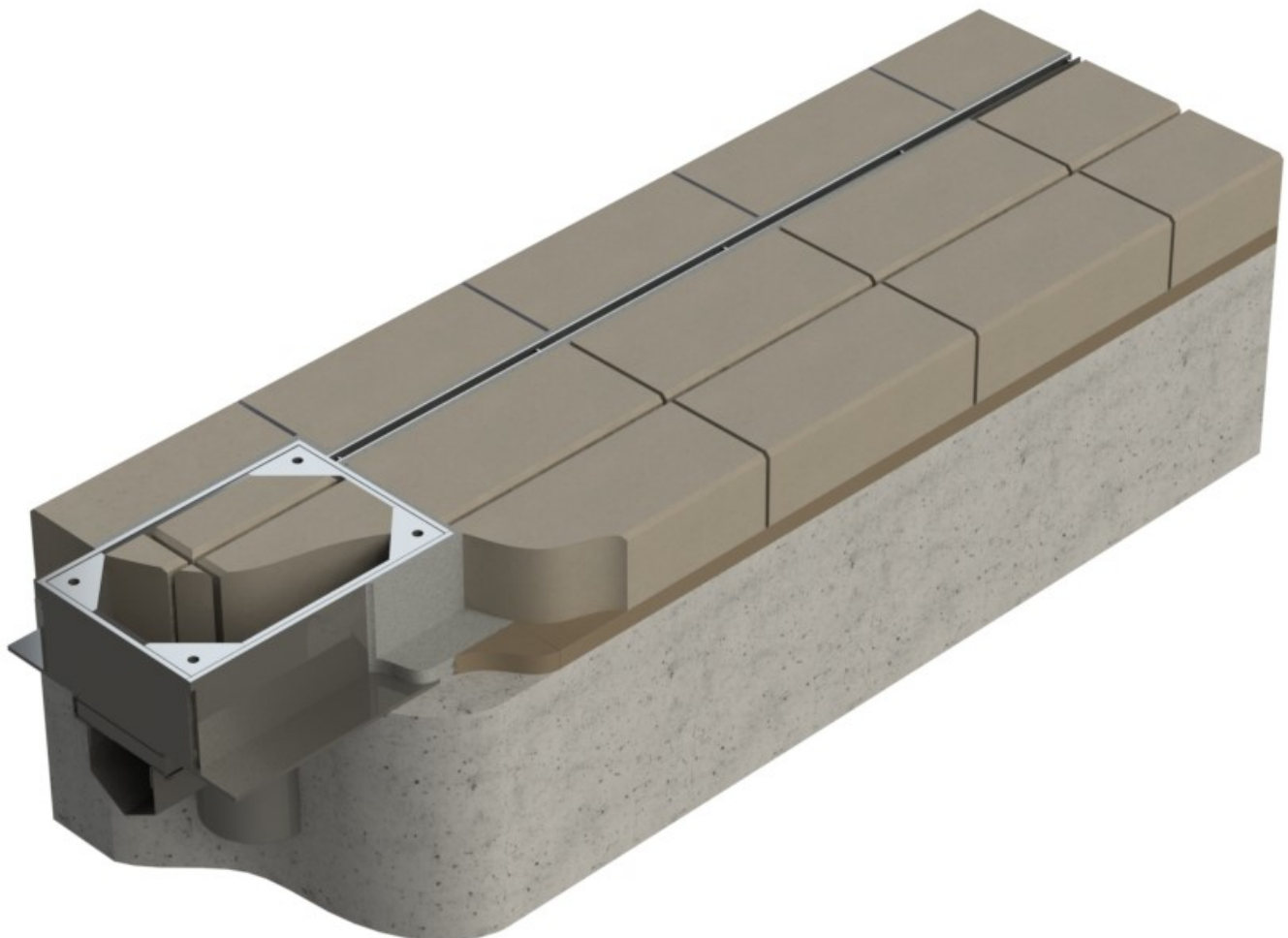
**Description:**

Kent Recessed Access Cover is a key component to the Kent Slot Drain system. The cover sits on top of either an access point or an outlet point and can be manufactured to suit any paving.

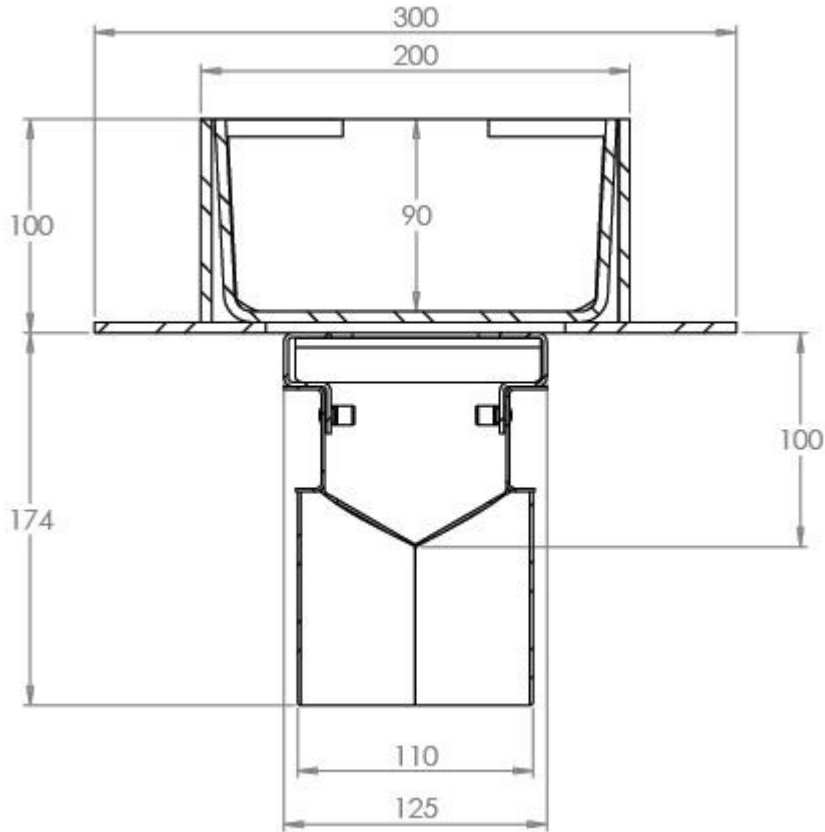
Kent Stainless recommend that an access point is installed for every 12 meters of slot drain. Recessed Access covers can be purchased with a slot built into its center or to the side, alternatively they can also be manufactured with no slot. They can also be moved from right to left if the site paving pattern requires this.

**Features:**

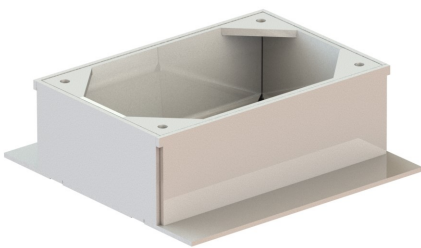
- B125 loading as standard- C250 & D400 versions also available
- 300mm x 200mm x 100mm as standard
- Available in either Grade 304 or Grade 316
- Can be manufactured to match paving pattern
- central circular lifting points available
- Visible or Hidden options available



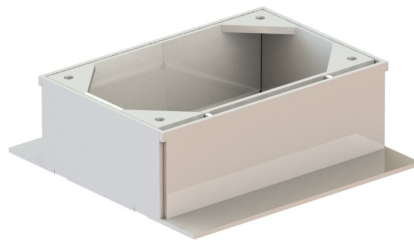
**KENT SLOT DRAIN RECESSED ACCESS COVER (KSDRAC 300/200-100)**



Product Code	Length	Width	Depth
Kent Slot Drain Recessed Access Cover (No Slot)- KSDRAC300/200-100(NS)	300	200	100
Kent Slot Drain Recessed Access Cover (Side Slot)- KSDRAC300/200-100(SS)	300	200	100
Kent Slot Drain Recessed Access Cover (Centre Slot)-KSDRAC300/200-100(CS)	300	300	100



Recessed Access Cover– **No Slot**



Recessed Access Cover– **Side Slot**



Recessed Access Cover– **Centre Slot**



**KENT SLOT DRAIN RECESSED ACCESS COVER (KSDRAC 300/200-100)**

**Installed Projects**

**Canada Water, London (UK)**  
Kent Curved Slot Drain system



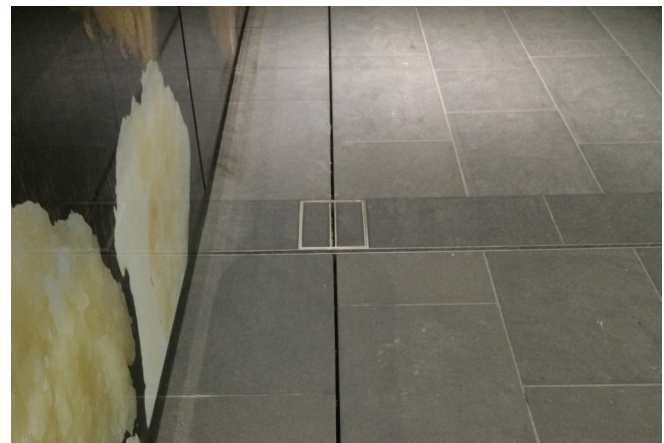
**Cubitt Park, London (UK)**  
Kent Visible Slot Drain installed for use in a water fountain



**Bloomberg, London (UK)**  
Kent Hidden Curved Slot Drain Installed in Bloomberg, London



**Leadenhall, London**  
Kent Hidden Slot Drain Installed in Leadenhall, London



**KENT SLOT DRAIN RECESSED ACCESS COVER (KSDRAC 300/200-100)**

**Specify**

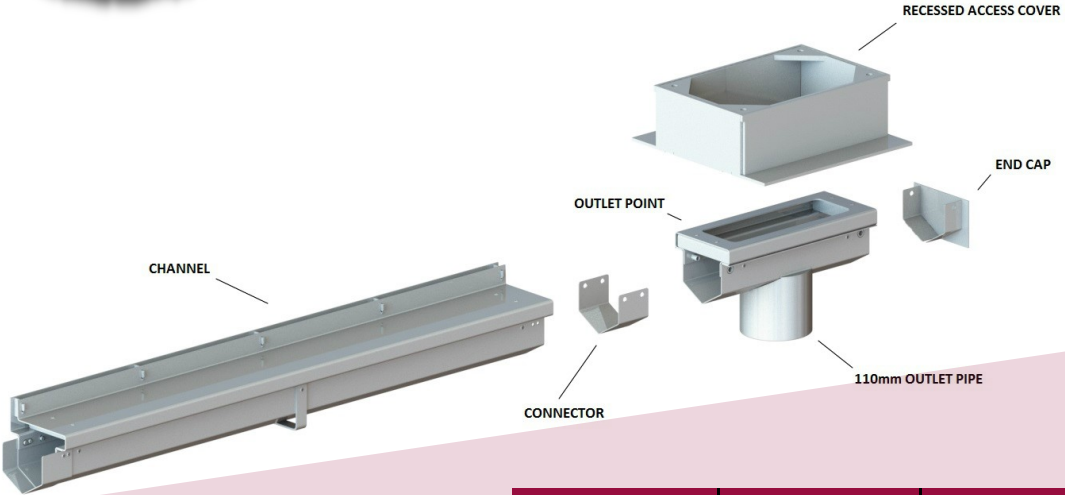
**Customise your size:**  
To suit your projects needs  
or go with our standard  
300mm length x 200mm  
width x 100mm dept.

**Specify:**  
Kent Slot Drain Recessed Access Cover KSDRAC 300/200-100; 300X200X100mm; Grade 316 Stainless steel; FACTA B; No Slot

**Customise your Loading:**  
FACTAA  
FACTA AA  
FACTA AAA  
FACTA B  
FACTA C  
FACTA D

**Slot**  
No Slot  
Side Slot  
Centre Slot

**Choose your steel:**  
Grade 304 Stainless steel  
Grade 316 Stainless steel



Options
No Slot
Slot Centre/ Side
Hidden
Grade 304 Stainless Steel
Grade 316 Stainless Steel

FACTA Class	EN124 Class	Slow Moving Wheel Loads	Kent Safety Test
A	A15	0.6T	0.8T
AA	N/A	1.5T	3.1T
AAA	N/A	2.5T	5.2T
B	B125	5T	10.1T
C	C250	6.5T	13.2T
D	D400	11T	22T

## Maintenance of Stainless Steel

Clean the stainless steel components using warm water with a mild detergent with a non-abrasive cloth or sponge. Heavier stains may require the use of a nylon-scouring pad or a stainless steel cleaner.

To remove paint or graffiti use a cloth and Alkaline or solvent paint strippers according to type of paint. In the case of a bead blasted finish, where abrasive cleaning is required, always use a random circular rubbing action with a cloth.

In the case of brushed finishes the surface consists of uniform fine 'scratches' running in one direction so where abrasive cleaning is required always use a straight back and forward rubbing action in the direction of the grain using soap and warm water.

Rust spots or 'tea stains' can occur on the surface of the material, these are normally caused by contamination from ordinary mild steel, particularly in areas where construction work has been undertaken. Such stains can be removed using Rust Remover 410.

In cases where the surface is severely stained because of severe environmental conditions or scratched due to misuse, it may still be possible to restore the original finish using chemicals such as Oxalic Acid solution. There are many stainless steel polishes available to enhance the surface finish.

We recommend Mister Stainless Ltd. as a provider for stainless steel cleaning products.



**Testimonials**

**PARSONS**  
Parsons International Limited  
P. O. Box 2091, Doha, Qatar • Tel: (+974) 4405-8444 • Fax: (974) 4437-7434 • www.parsons.com

Kent Stainless  
Ardcavan, Wexford  
Ireland

5 January 2012

Attention : Mr. Shane Curtin & Michael Hurley  
Project : Lusail Construction Package 1 – CP1  
Subject : CP1: Kent Stainless, Lusail City, Qatar

Dear Shane & Michael,

I am writing to express my thanks for the works delivered by Kent Stainless to the Lusail Project in Doha. Your willingness to work with the client, designers and contractors to finalise the specialist detailing, produce the shop drawings and samples has been second to none and has added significant value to the project.

The in-house engineering completed by Kent Stainless and the knowledge and advice given to finalise the design was outstanding. All the products delivered to date have been fully compliant and of the highest quality.

Finally, your frequent presence on site and customer focus has enabled this technically difficult package of works to be finalised in the shortest possible time.

We hope to see you again on future projects.

Yours Sincerely

Patrick McCormack  
Parsons CP1

*“ The In-house engineering completed by Kent Stainless and the Knowledge and advice given to finalise the design was outstanding ”*

**- Parsons**

**SKANSKA**

Skanska Construction UK Ltd T/A  
Skanska Infrastructure Services  
Mail: Maple Grove House  
Danham Way  
Maple Grove  
Rokmansworth  
Hertfordshire WD23 9BW

Phone: +44 (0)1923 776668  
Fax: +44 (0)1923 423593

For the attention of: Michael Hurley

Web: www.skanska.co.uk  
Reg. In: England  
Reg. No: 191408

Kent Stainless  
Ardcavan  
Wexford  
Ireland

Registered Office: Maple Grove House  
Danham Way, Maple Grove, Rokmansworth,  
Hertfordshire, WD23 9BW.

Our ref: MW/002/020312  
Your ref: 29 March 2010

Dear Michael,

Ref: Letchworth Garden City, Manholes, Grilles, Drainage & Tree Pit Frames

With reference to Letchworth Garden City, we were delighted to work on such a prestigious award winning scheme. The choice of subcontractor and suppliers was crucial to us delivering such a high standard & Kent Stainless were instrumental in this.

As with all our projects during the last 5 years Kent delivered promptly and with the right quality – thanks for your help & keep up the good work.

The client and the main contractor both were delighted with the quality of the work supplied by Kent Stainless. You showed great flexibility and your quality was right first time again.

Yours faithfully,

for and on behalf of  
Skanska Infrastructure Services

Matt Wincott

*“ The client and the main contractor both were delighted with the quality of the work supplied by Kent Stainless ”*

**- Skanska**

DIRECTOR OF SERVICES  
CORPORATE AFFAIRS & ROADS  
ADDW

15<sup>th</sup> January 2010

Mr: Stephen Roche,  
Kent Stainless,  
Ardcavan,  
Wexford,  
Ireland.

RE: Wexford Main Street Regeneration

Dear Stephen,

Thanks for your help with the designs of manholes and gully covers for Wexford Main Street. We invested heavily in the new paving works and to break up the beautiful stone work with solid cast covers would have been a real shame. The solutions you provided with recessed covers in stainless steel with laser engraving blended in perfectly with the look and feel we wanted to portray for the street.

Because of the engineering know-how you provided and flexibility in design, we will certainly return to Kents for further work. We were delighted to find an Irish manufacturer could provide all solutions, and even better a Wexford based engineering firm.

Yours faithfully,

  
Adrian Doyle,  
Director of Services,  
Corporate Affairs & Roads

e-mail: adrian.doyle@wexfordcoco.ie  
tel: 053 9176400

100 Years of Community Service  
Cuid bliain ag saibhreas scríobha dín phobail

*“ Because of the engineering know-how you provided and flexibility in design, we will certainly return to Kents for further work ”*

**- Wexford County Council**



**Kent Stainless Ltd**

Ardcavan, Wexford, Ireland

**TEL NO:** +353 53 9143216  
**UK FREEPHONE:** 0800 376 8377  
**FAX:** +353 53 9141802  
**WEB:** [www.kentstainless.com](http://www.kentstainless.com)  
**EMAIL:** [info@kentstainless.com](mailto:info@kentstainless.com)



**Kent**  
STAINLESS