

Kent Brass Tactile Warning Stud



KENT BRASS TACTILE WARNING STUD (KBTWS 35/5/FDMG)

Specify:

Kent Brass Tactile Warning Stud (Multi Groove) KBTWS 35/5/FDMG; 1.37" (35mm) diameter x 0.19" (5mm) high; multi rings; Brass 59, 0.23" (6mm) dia x 0.55" (14mm) stud for root fixing below GL

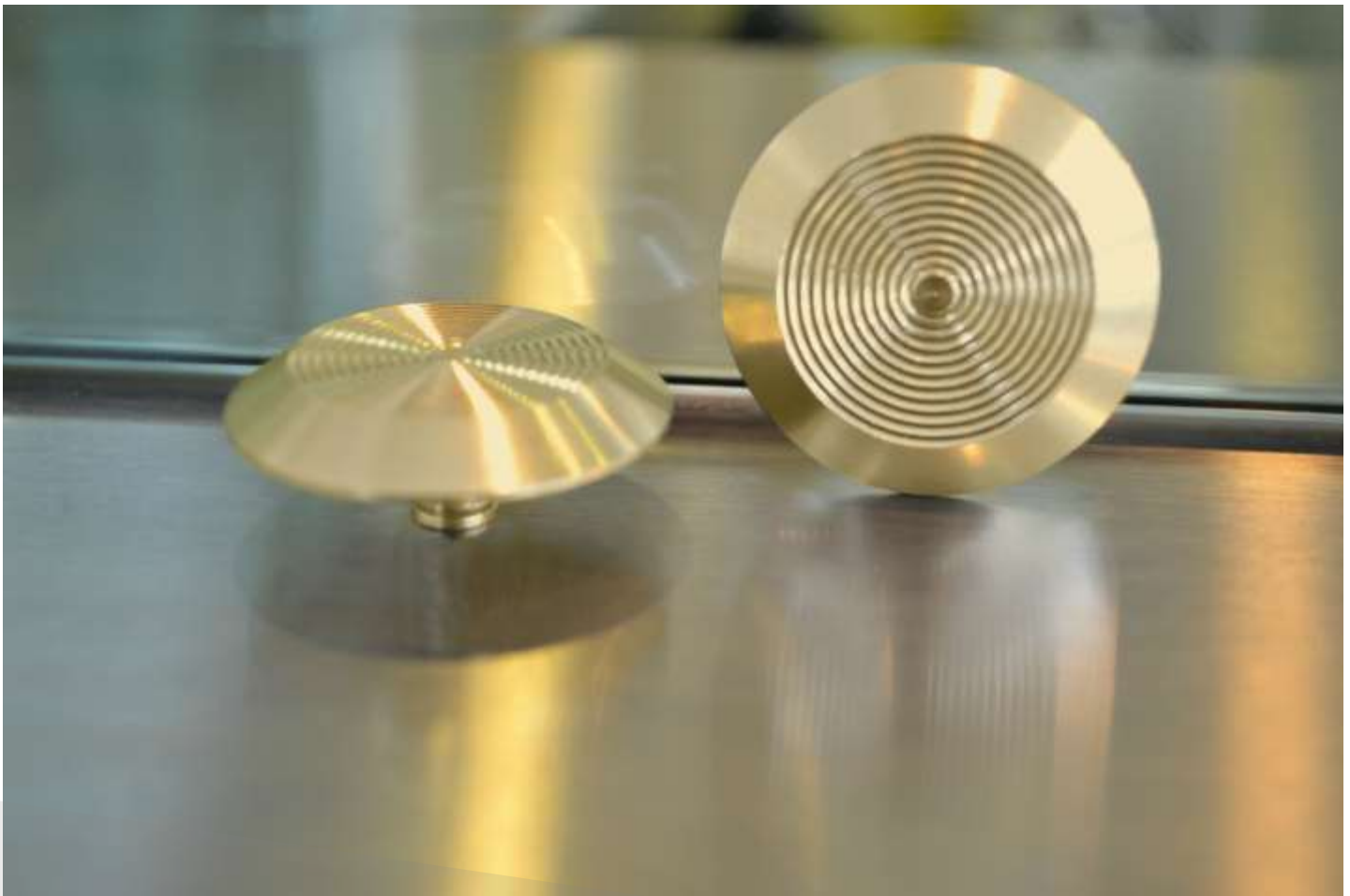
Description:

The Brass Kent Tactile Warning Studs provide an underfoot warning to identify hazards and dangerous areas where there is a change in levels or where there is an unprotected opening such as open stairwells and platforms.

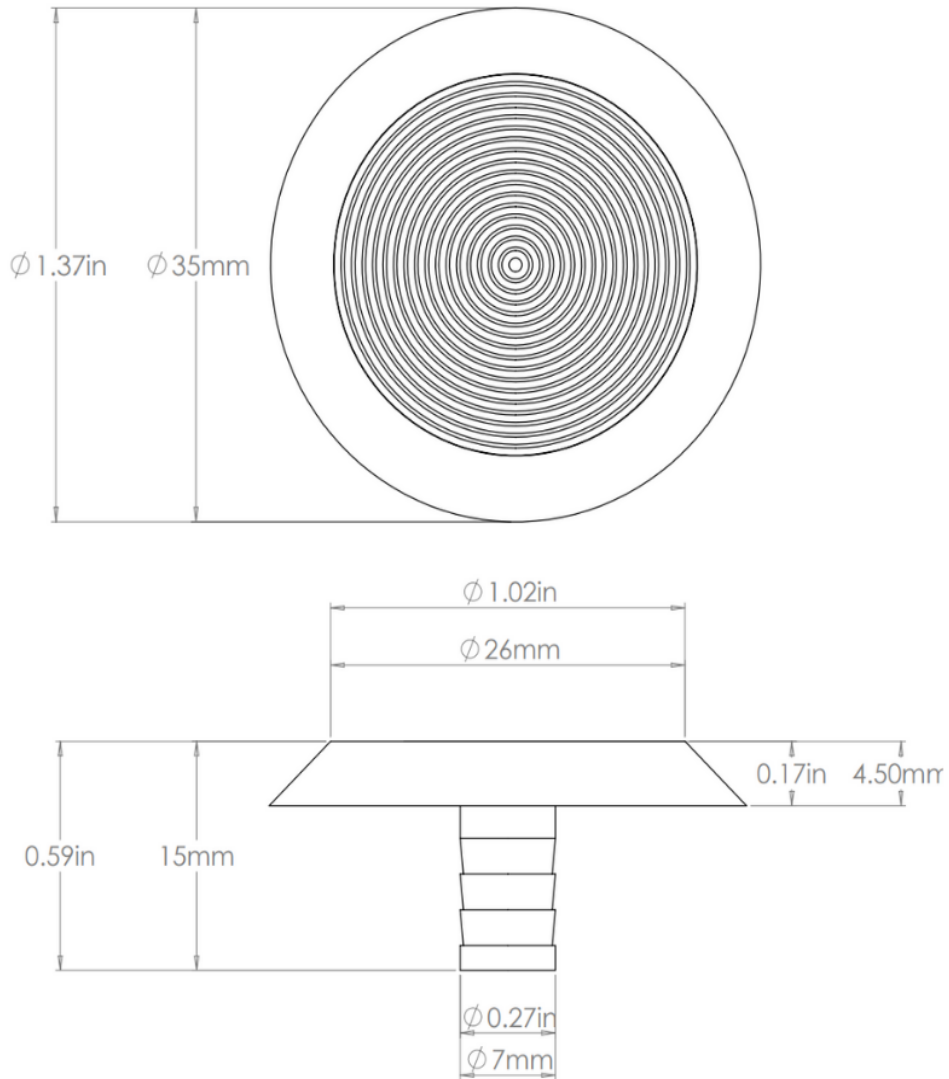
The slip resistant design ensures the studs do not themselves become a hazard in wet or cold conditions.

Features:

- Brass 59 material
- 5mm high
- 35mm dia Disc
- Multi Groove
- 1 Installation pins
- Easy installation



KENT BRASS TACTILE WARNING STUD (KBTWS 35/5/FDMG)



| Product Code | Diameter | Height |
|---|---------------|--------------|
| Kent Brass Tactile Warning Stud KBTWS 35/5/FDMG | 1.37in (35mm) | 0.19in (5mm) |

Installation of Studs

Step 1:

Drill x1, 0.59" (15mm) Diameter hole 1.10" (28mm) deep.

Step 2:

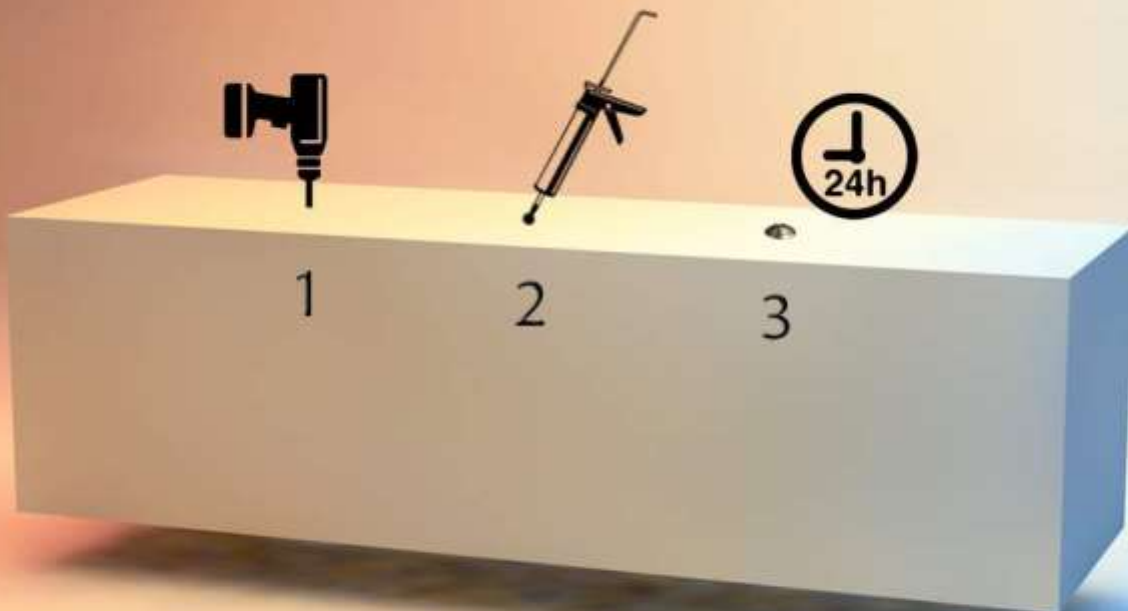
Clean out the drilled hole.

Step 3:

Fill with chemical mortar (Kent Stainless recommend MIT-SE Mortar).

Step 4:

Insert the Kent Brass Tactile Warning Stud and leave to set for 24 hours



Specify

Specify:

Kent Brass Tactile Warning Stud (Multi Groove) KBTWS 35/5/FDMG; 1.37" (35mm) diameter x 0.19" (5mm) high; multi rings; Brass 59, 0.23" (6mm) dia x 14mm stud for root fixing below GL

Choose your Size:
Standard 35mm dia
Bespoke sizes on request



Kent Stainless Ltd
Ardcavan, Wexford, Ireland

TEL NO: +353 53 9143216
UK FREEPHONE: 0800 376 8377
FAX: +353 53 9141802
WEB: www.kentstainless.com
EMAIL: info@kentstainless.com

