



# FACTORY BUMP RAILS



# Factory Bump Rail

**Kent Stainless Factory Bump Rails** are a perfect alternative to, or complement for, our Internal Bollards and Corner Guards. The Factory Tubular Bump Rail system has tubular leg supports and usually ends with a turn down to the floor. The intermediate leg is narrower to allow a cleaner weld.

Hidden Fixings are used as standard and this version is designed for Cleanroom or Laboratory projects in the Life Sciences sector. Alternatively, base plates can be used - typically surface mounted and can be accompanied by a cowl. This version is more commonly used for strength and where the rails will receive more frequent impact. A version can also be supplied with longer legs where the contractor core drills a hole and casts in the tube.

Small to Medium sized projects in the USA & Canada will ship from East Coast USA. Major international projects will ship from Ireland.

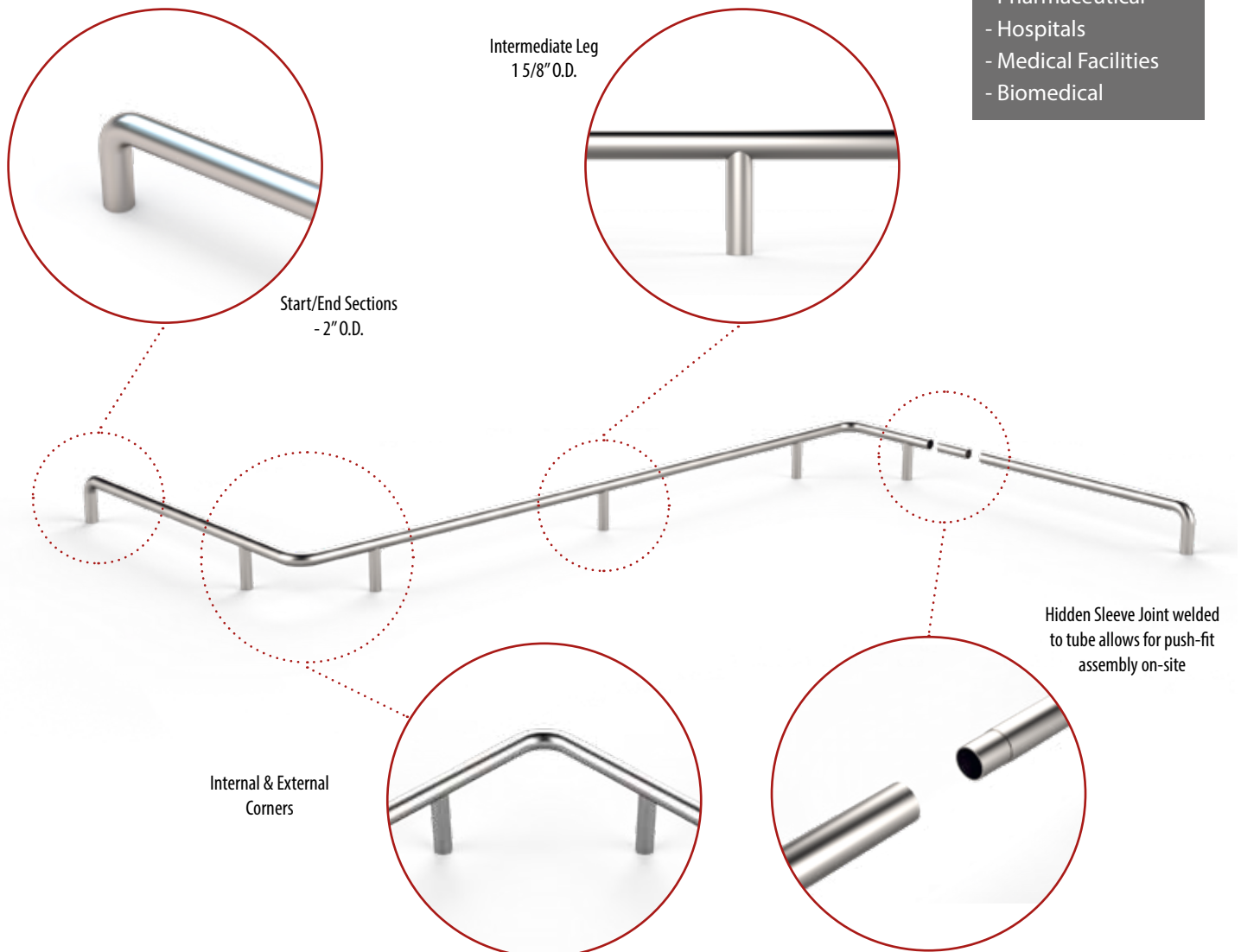
American projects are mostly made in the USA and made to imperial measures - typically a 2" dia tube and 11" high. This same bump rail supplied to European projects would be supplied as a metric measure 48.3mm dia and 280mm high - rather than an exact conversion of 2" to 50.8mm and 11" to 279.4mm. Approval drawings for each project will be supplied in imperial or in metric as requested and can be customised.

## FEATURES

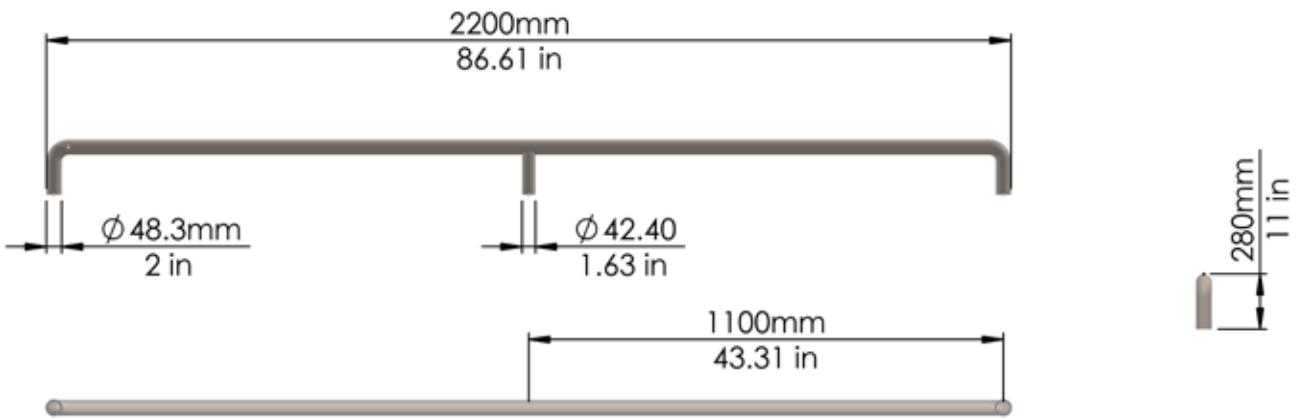
- 12GA (2.5mm) thick steel
- ASTM No. 6 Satin Finish (USA)
- EN10088 320 Grit Satin Finish (EU)
- Hidden Fixings as standard for cleanrooms
- Core Drill & Cast in version available
- Visible Baseplate with Dome Nuts version available
- Grade 304L Stainless Steel as standard
- 316L as an option

## INDUSTRIES

- Laboratories
- Pharmaceutical
- Hospitals
- Medical Facilities
- Biomedical



Product Code	Length	Height	Diameter	
			USA	EU
Kent Factory Bump Rail KFBR-50	39.37" (1000mm)	11" (280mm)	2"	48.3mm
Kent Factory Bump Rail KFBR-50	86.61" (2200mm)	11" (280mm)	2"	48.3mm
Kent Factory Bump Rail KFBR-50	117.72" (2990mm)	11" (280mm)	2"	48.3mm



Optimal shipping length is 86.61" or 7.2' - custom lengths are regularly provided

**FIXING OPTIONS**

**Bump Rail Hidden Fixing**  
(standard)



**Alternative Options**



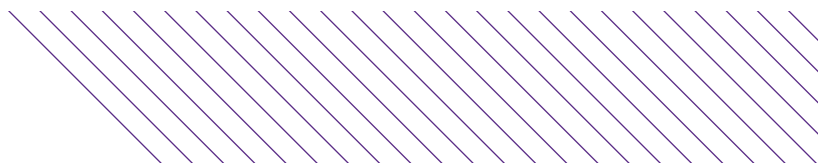
Baseplate & 4 no. Dome Nuts



Baseplate with Cowl



Cored & Cast in



**SPECIFY**

**Kent Factory Bump Rail (KFBR-50):** ▶ Grade 304L Stainless Steel; ▶ ASTM No. 6 Polish (EN10088 320 Grit Satin Finish); ▶ L: 86.61" (2200mm), H: 11" (280mm), Dia: 2" (48.3mm); ▶ 12GA (2.5mm Thick Steel); ▶ Hidden Fixings.

