



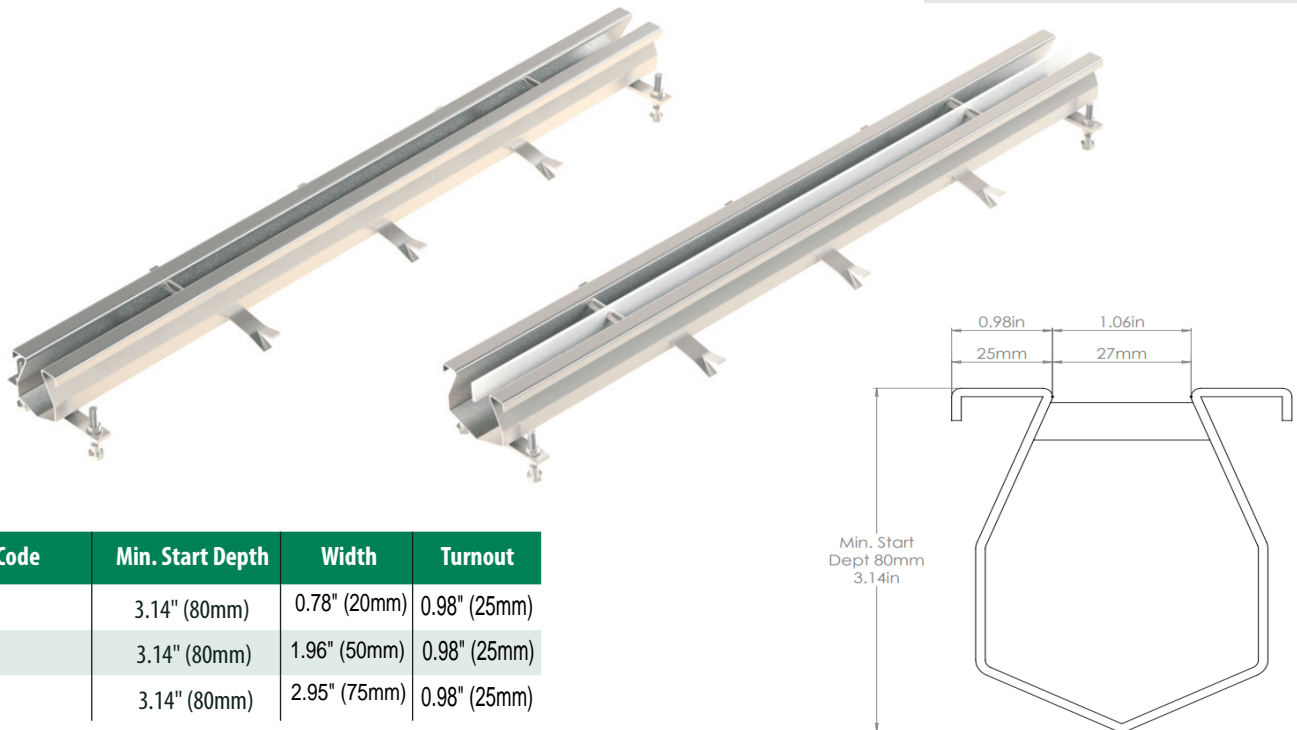
KENT KSCC27

The KSCC27 channel is a SuperClean version of our hexagonal channel and is used mainly as a breakwater in factories. The main difference is that all internal angles are visible from the surface and so any build up of dirt or residue should be visible and then accessible by power hose. It is a strong channel and is still cost effective as it eliminates the need for a grating. It is extensively used in Food, Dairy, Beverage and Pharmaceutical factories and is customisable in a huge variety of features - In grade 304 stainless as standard, often used in grade 316 and size can be customised to suit any projects.

Useable also in civils projects when a centre bar is applied to reduce gaps to 0.23 (6mm) but the Kent Precinct Channel would be a more suitable option. Watertight connections are made with either flange & gasket joints, or preparation for site welding.

Features

- Grade 304 (1.4301) or 316 (1.4401) Stainless Steel to BS EN 10088
- 0.78" (20mm) wide Slot as standard with 0.98" (25mm) turnout and turndown each side
- 2.75" (70mm) Outside Edge to Outside Edge
- Used with either Trapped 110mm spigot outlet or 110mm or 160mm gully outlet
- 3.14" (80mm) start depth
- Concrete ties as standard
- Levelling Bolts as standard
- Polished top edge
- Suitable for Very Heavy Duty areas as well as pedestrian areas.
- Heelproof versions available (requires centre bar)
- Made to length – reduced joints
- Short lead times



Product Code	Min. Start Depth	Width	Turnout
KSCC27	3.14" (80mm)	0.78" (20mm)	0.98" (25mm)
KSCC50	3.14" (80mm)	1.96" (50mm)	0.98" (25mm)
KSHC75	3.14" (80mm)	2.95" (75mm)	0.98" (25mm)

Specify: Kent Super Clean Channel KSCC27 ; mm length with Central Trapped Gully outlet; Grade 304 Stainless steel.

Amend underlined words to suit project

BS EN1433 Loading Class A15 / B125 / C250 / D400

This channel can be subjected to very heavy loads