

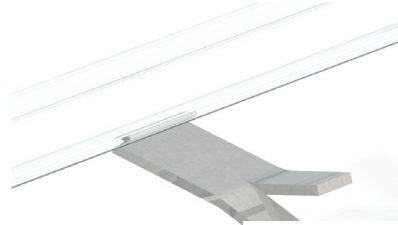
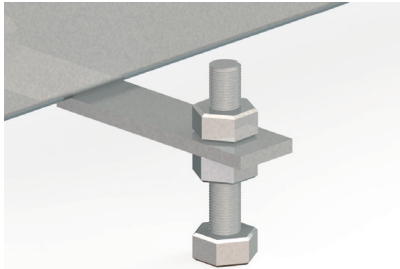
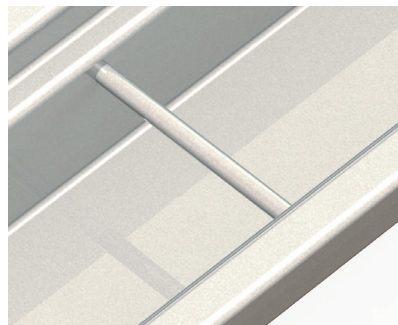
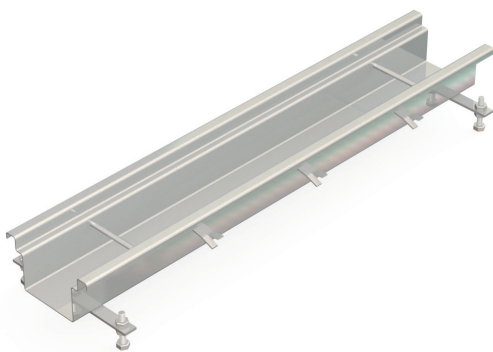
The KSBC150 channel is our most versatile and widely used channel system for all industrial floor finishes. It is extensively used in Food, Dairy, Beverage and Pharmaceutical factories and is customisable in a huge variety of features - In grade 304 stainless as standard, often used in grade 316 and size can be customised to suit any projects.

Useable in commercial applications also, but the KCRC Kent Commercial Range Channel is a lower cost option for these areas. Useable also in civils projects when accompanied by a Heelproof grating – but the KPC Kent Precinct Channel would be a more suitable option.

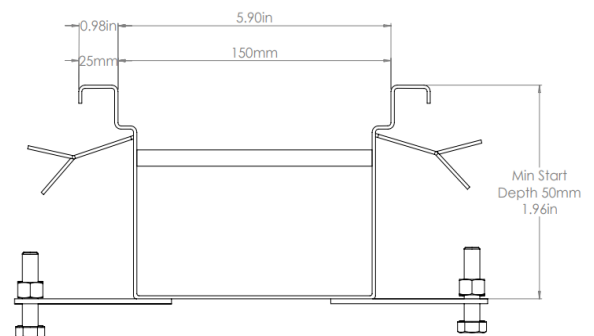
Watertight connections are made with either flange & gasket joints, or preparation for site welding.

Features

- Grade 304 (1.4301) or 316 (1.4401) Stainless Steel to BS EN 10088
- 9.6" (150mm) wide Body as standard with 1.96" (25mm) turnout and turndown each side
- 7.86" (200mm) Outside Edge to Outside Edge
- Used with either Trapped 4" pipe outlet or 110mm or 160mm box outlet
- Shallow 2.16" (50mm) start depth
- Concrete ties as standard
- Levelling Bolts as standard
- Polished top edge
- Suitable for Very Heavy Duty areas as well as barefoot pedestrian areas.
- Made to length – reduced joints
- Short lead times



Product Code	Min. Start Depth	Width	Turnout	Outer Width
KSBC100	1.96" (50mm)	3.96" (100mm)	0.98" (25mm)	5.90" (150mm)
KSBC150	1.96" (50mm)	5.90" (150mm)	0.98" (25mm)	7.87" (200mm)
KSBC200	1.96" (50mm)	7.87" (200mm)	0.98" (25mm)	9.84" (250mm)
KSBC300	1.96" (50mm)	11.81" (300mm)	0.98" (25mm)	13.77" (350mm)



Specify: Kent Standard Box Channel KSBC150; to take 150mm wide grating; mm length with Central Trapped Gully outlet KV215/110; Grade 304 Stainless steel; Grating will be Kent Ladder Grating Type; Load Class B.

Amend underlined words to suit project

BS EN1433 Loading Class A15 / B125 / C250 / D400

This channel can be subjected to very heavy loads but must have the correct heavy duty grating to achieve these loads

Choose Grating from page 83-92