

The KSBC150DC channel is a double contained version of our standard box channel.

They are designed for use primarily in Pharmaceutical factories but are sometimes used in beverage plants with very high sugar or acid concentration. They are also very important for laboratories where leaks in drainage could affect the water table.

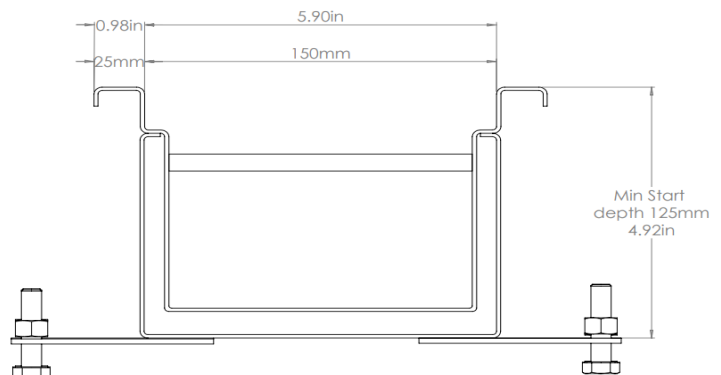
They are used in both light duty and very heavy duty trafficked areas (depending on the grating chosen).

Watertight connections are made with either flange & gasket joints, or preparation for site welding.

They are most often accompanied by a Double Contained Gully outlet (eg KVDC215/4"/6") with 4" and 6" outlets. In most cases a 4" or 6" SCH 10 outlet is required because these are most popular with American Multinational Pharmaceutical companies who have scheduled stainless steel pipework to connect to, but this can easily be substituted for 4.33" (110mm) or 6.29" (160mm).

Features

- Grade 304 (1.4301) or 316 (1.4401) Stainless Steel to BS EN 10088
- 5.90" (150mm) wide Body as standard with 0.98" (25mm) turnout and turndown each side
- 7.87" (200mm) Outside Edge to Outside Edge
- Concrete ties as standard
- Levelling Bolts as standard
- Polished top edge
- Variety of gratings available
- Suitable for Very Heavy Duty areas as well as pedestrian areas.
- Made to length – reduced joints
- Short lead times



Product Code	Height	Width	Turnout	Outer Width
KSBC150DC	4.92" (125mm)	5.90" (150mm)	0.94" (24mm)	7.87" (200mm)
KSBC200DC	4.92" (125mm)	7.87" (200mm)	0.94" (24mm)	9.84" (250mm)
KSBC300DC	4.92" (125mm)	11.81" (300mm)	0.94" (24mm)	13.77" (350mm)

* flow rate is also dependant on grating chosen

Specify: Kent Standard Box Channel KSBC150DC; to take 150mm wide grating; mm length with Central Trapped Gully outlet; Grade 316 Stainless steel; Grating will be Kent Ladder Grating Type; Load Class B.

- amend underlined words to suit project

BS EN1253 Loading Class L15 / R50 / M125 / N250 / P400

This Channel can be subjected to very heavy loads but must have the correct heavy duty grating to achieve these loads

Choose Grating from page 83-92