

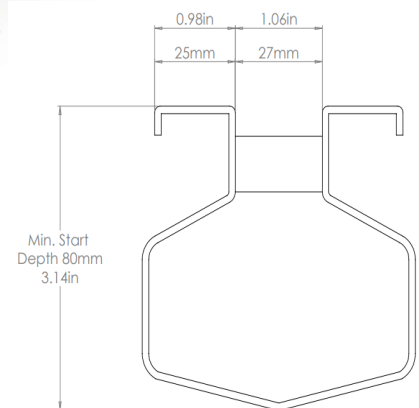
The KSHC27 channel is a hexagonal channel used mainly as a breakwater in factories. It is a strong channel and is still cost effective as it eliminates the need for a grating. It is extensively used in Food, Dairy, Beverage and Pharmaceutical factories and is customisable in a huge variety of features - In grade 304 stainless as standard, often used in grade 316 and size can be customised to suit any projects.

Useable also in civils projects when a centre bar is applied to reduce gaps to 6mm - but the Kent Precinct Channel would be a more suitable option.

Watertight connections are made with either flange & gasket joints, or preparation for site welding.

### Features

- Grade 304 (1.4301) or 316 (1.4401) Stainless Steel to BS EN 10088
- 0.78" (20mm) wide Slot as standard with 0.98" (25mm) turnout and turndown each side
- 2.75" (70mm) Outside Edge to Outside Edge
- Used with either Trapped 110mm spigot outlet or 110mm or 160mm gully outlet
- 3.14" (80mm) start depth
- Concrete ties as standard
- Levelling Bolts as standard
- Polished top edge
- Suitable for Very Heavy Duty areas as well as pedestrian areas.
- Heelproof versions available (requires centre bar)
- Made to length – reduced joints
- Short lead times



Product Code	Min. Start Depth	Width	Turnout
KSHC27	3.14" (80mm)	0.78" (20mm)	0.98" (25mm)
KSHC50	3.14" (80mm)	1.96" (50mm)	0.98" (25mm)
KSHC75	3.14" (80mm)	2.95" (75mm)	0.98" (25mm)

**Specify: Kent Standard Hex Channel KSHC27 ;      mm length with Central Trapped Gully outlet; Grade 304 Stainless steel.**

Amend underlined words to suit project

**BS EN1433 Loading Class A15 / B125 / C250 / D400**

This channel can be subjected to very heavy loads