

KENT KVBC200

The KVBC200 channel is the vinyl floor version of our KVBC200 standard box channel system. It is extensively used in Food, Dairy, Beverage and Pharmaceutical factories and is customisable in a huge variety of features - In grade 304 stainless as standard, often used in grade 316 and size can be customised to suit any projects. Useable in commercial applications also.

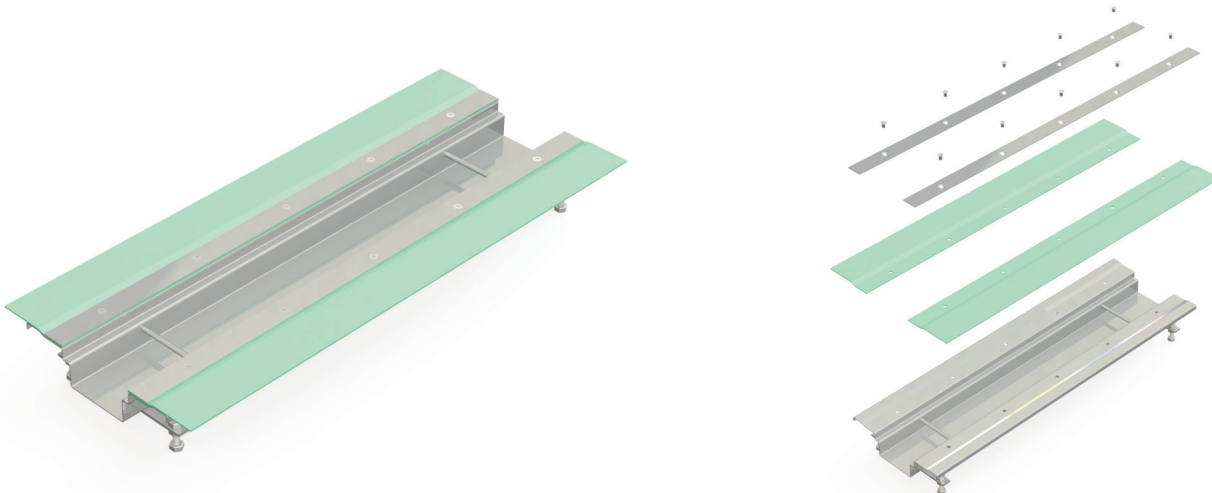
Watertight connections are made with either flange & gasket joints, or preparation for site welding.

While all Kent channel gratings will fit this channel, in most cases this is installed in vinyl floor pedestrian area so pedestrian gratings are chosen.

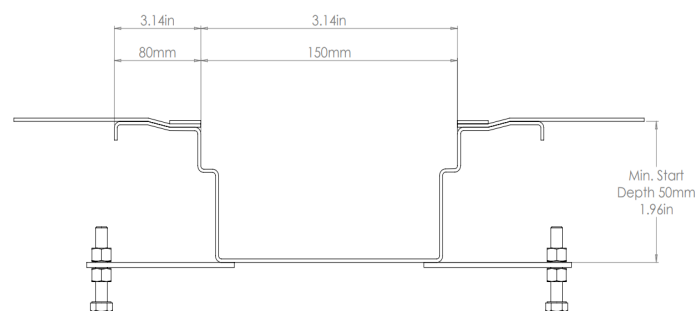
The KVBC200 Channel is most often partnered with KMG200 or KAMG200 Mesh Grating (See Page 87 & 88).

Features

- Grade 304 (1.4301) or 316 (1.4401) Stainless Steel to BS EN 10088
- 7.87" (200mm) wide Body as standard with 3.14" (80mm) vinyl clamp edge
- 9.84" (250mm) Outside Edge to Outside Edge
- Used with either Trapped 110mm spigot outlet or 110mm or 160mm gully outlet
- Shallow 1.96" (50mm) start depth
- Concrete ties as standard
- Levelling Bolts as standard
- Polished top edge
- Variety of decorative gratings available.
- Made to length – reduced joints
- Short lead times



Product Code	Min. Start Depth	Width	Turnout	Outer Width
KVBC200	1.96" (50mm)	7.87" (200mm)	0.98" (25mm)	14.17" (360mm)
KVBC300	1.96" (50mm)	11.81" (300mm)	0.98" (25mm)	18.11" (460mm)



Specify: Kent Vinyl Box Channel KVBC200; to take 200mm wide grating; ___mm length with Central Gully Outlet KV285/160/110; Grade 304 Stainless Steel; Load Class A.

Amend underlined words to suit project

BS EN1433 Loading Class A15

This channel can be subjected to very heavy loads but must have the correct heavy duty grating to achieve these loads

Choose Grating from page 87-88